

# Radiators HCS, HCM, HCL



- High heating capacity
- Large, black anodized convector surface

BARTEC compact radiators are used as anti-freezing and anticondensate heaters in potentially explosive areas. Their use guarantees maximum operating safety, since temperature fluctuations are effectively prevented or the required minimum temperatures are maintained. They reliably ensure that no malfunctioning through leakage current in electrical components, or other disturbances through corrosion formation on mechanical installation parts, can occur. The radiators are ready for connection and they are maintenance-free. Places of use include switch and control cabinets, transmitter protective boxes, measuring equipment, analytical cabinets for sample preparation etc..

## Construction

The radiators are fitted with a constant ohmic resistance. Through the special construction of the aluminium profile a chimney effect is produced which gives a uniform temperature distribution in the interior of enclosures and cabinets. In case of overheating, the heaters are permanently isolated from the mains supply, since the heat source is coupled with a temperature safety fuse. The radiators should be operated with a thermostat.

For frost protection applications we recommend the KTE-d, type 27-6B11-5230BZ00, Switch-on 10°C / Switch-off 18°C.

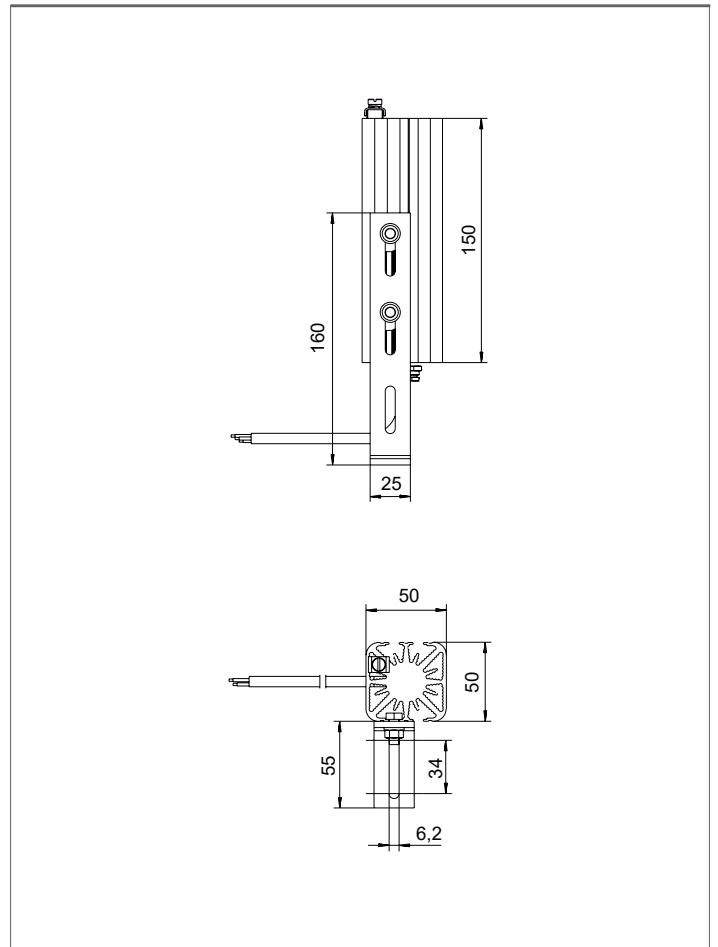
## Explosion protection

Marking	<ul style="list-style-type: none"> <li>Ⓜ II 2G Ex db IIC T4, T3 Gb</li> <li>Ⓜ II 2D Ex tb IIIC T135 °C, T200 °C Db</li> </ul>
Certification	PTB 03 ATEX 1 139 X IECEx PTB 14.0020X Other approvals and certificates, see <a href="http://bartec.com">bartec.com</a>

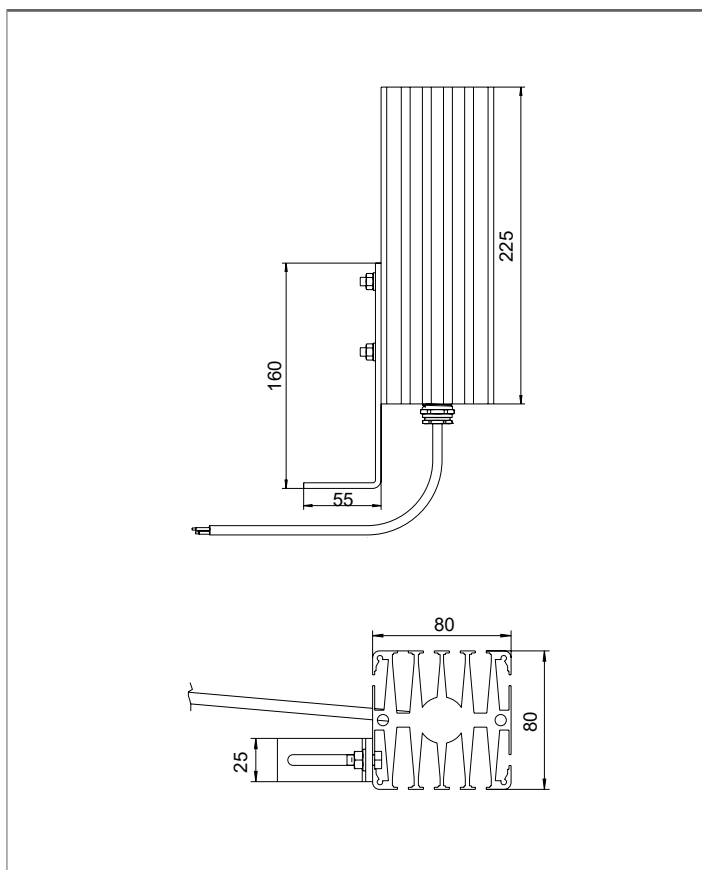
## Technical data

Nominal voltage	AC 230 V
Service temperature range	-60 °C to +80 °C
Ambient temperature range	-60 °C to +60 °C
Connection	Flexible cord EWKF 3 x 1.5 mm <sup>2</sup> ; Ø 8.1 mm; length 3 m
Mounting position	Vertical flow through fins
Material	black anodized aluminium resistant to sea water

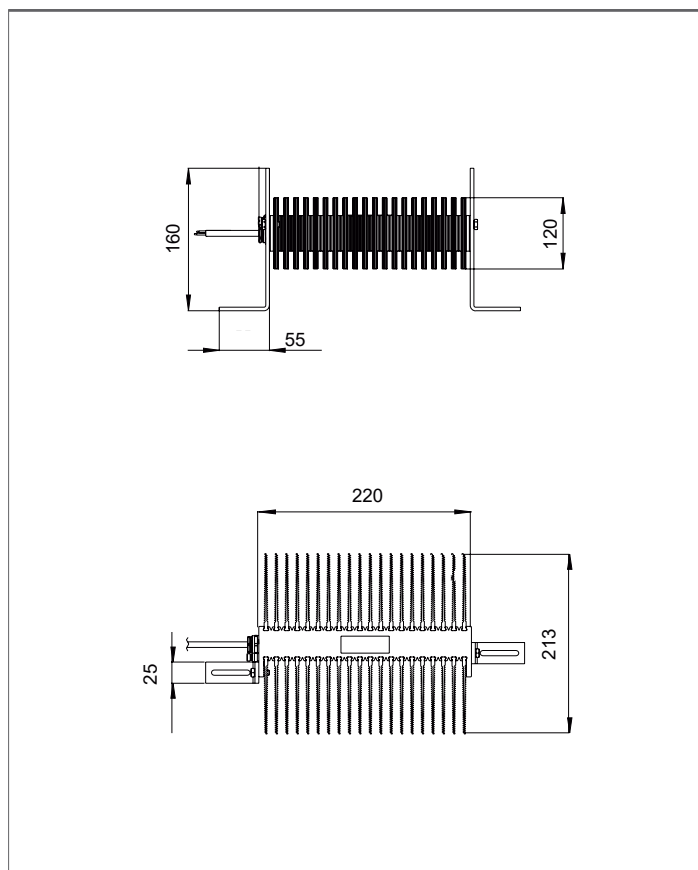
## Dimensions HCS Series



### Dimensions HCM Series



### Dimensions HCL Series



### Ordering information

Radiators with 3m supply cord

TYPE	Nominal power	Temperature class	Dimensions in mm (L X W X H)	Order no.
HCS 40-T4-3	40 W	T4	50 x 50 x 155	27-2064-3704/Z300
HCM 100-T4-3	100 W	T4	80 x 80 x 225	27-2164-5710/Z300
HCM 250-T3-3	250 W	T3	80 x 80 x 225	27-2162-5725/Z300
HCL 300-T4-3	300 W	T4	220 x 213 x 120	27-2264-4730/Z312
HCL 600-T3-3	600 W	T3	220 x 213 x 120	27-2262-4760/Z312

#### BARTEC GmbH

Max-Eyth-Str. 16  
97980 Bad Mergentheim  
Germany

Tel.: +49 7931 597-0  
Mail: [info@bartec.com](mailto:info@bartec.com)  
Web: [bartec.com](http://bartec.com)